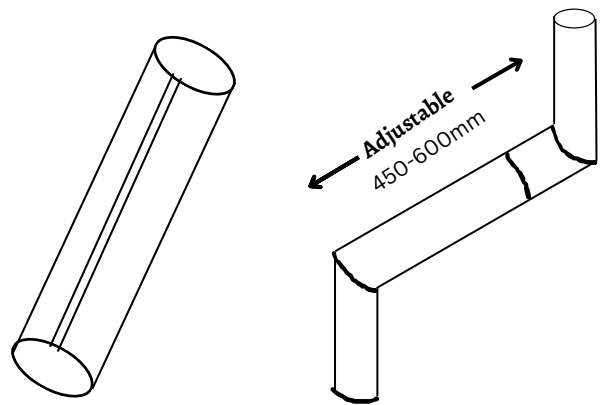
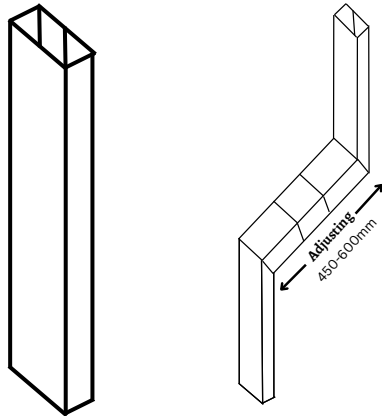
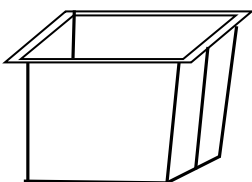


Order Sheet — Downpipe	
CUSTOMER	DATE REQUIRED :
ORDER NO:	SITE CONTACT:
DELIVERY TYPE PICK UP STORE SITE	ADDRESS:
TIME : 7AM 9AM 11AM 00.00	SPL NOTES:
Square/ Rectangle	Round

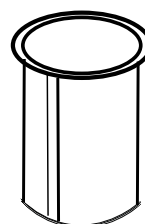


Square/ Rectangle Round	Quantity —COLOUR	SIZE	1.8mt / 2.4mt	NO OF CLIPS	Adjustable YES / NO
Square / Rect Round	6—MONUMENT SAMPLE ONLY	100 x 50	1.8mt	6	NO
Square / Rect Round					
Square / Rect Round					
Square / Rect Round					

ZINCALUME POPS



Quantity	



Quantity	

100 X 50 100 X 75 100 X 100

65MM 75MM 90MM 100MM